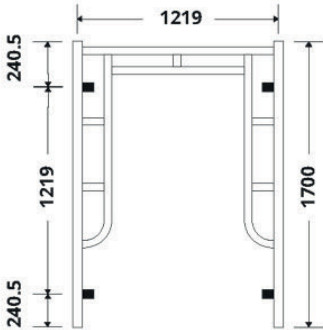




Steel Frame Scaffolding & Steel Props

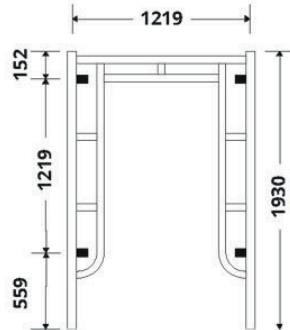
- SCAFFOLDING COMPONENTS (MS1462-1:2012)
- SCAFFOLDING ACCESSORIES (MS1462-1:2012)
- BASIC OF ASSEMBLING EXTERNAL SCAFFOLDING
- STEEL PROPS

ST 101 Vertical Frame



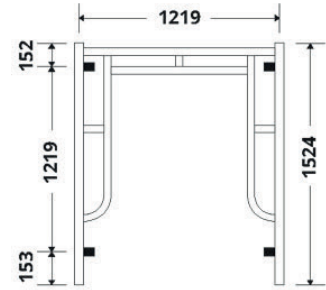
Width **1219** Height **1700**

ST 101A Vertical Frame



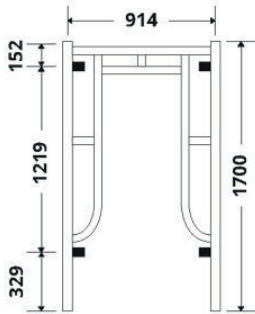
Width **1219** Height **1930**

ST 102 Vertical Frame



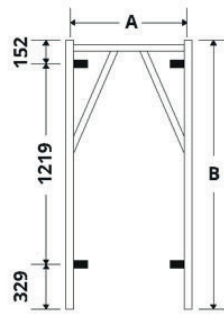
Width **1219** Height **1524**

ST 103 Vertical Frame



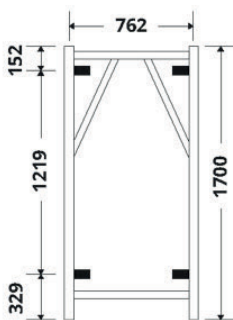
Width **914** Height **1700**

ST 104 Vertical Frame



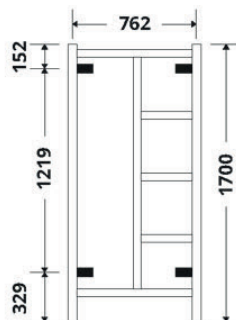
Code	Width	Height
	A	B
ST104	762	1700
ST104A	762	1524
ST104B	762	1219
ST104C	762	914
ST104D	762	490
ST104H	762	2000

ST 105 Vertical Frame



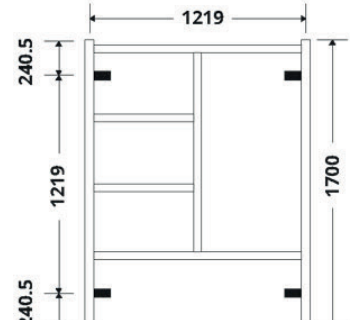
Width **762** Height **1700**

ST 106 Ladder Type Frame



Width **762** Height **1700**

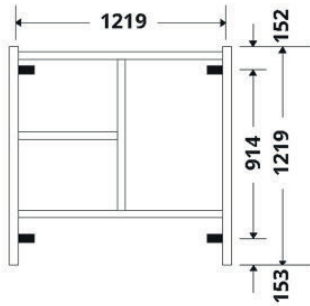
ST 107 Ladder Type Frame



Width **1219** Height **1700**

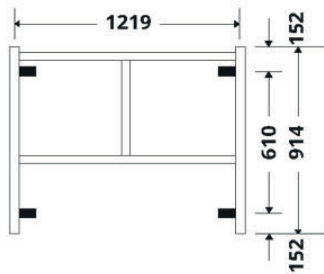
*All measurement is in millimeters (mm)

ST 108 Ladder Type Frame



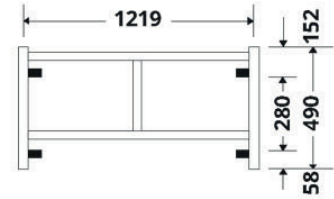
Width **1219** Height **1219**

ST 109 Ht.Adjusting Frame



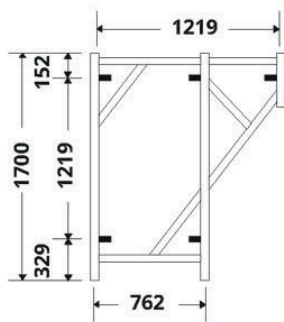
Width **1219** Height **914**

ST 110 Ht.Adjusting Frame



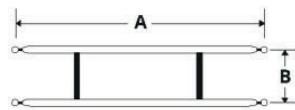
Width **1219** Height **490**

ST 121 Vertical Variation Frame



Width **762 / 1219** Height **1700**

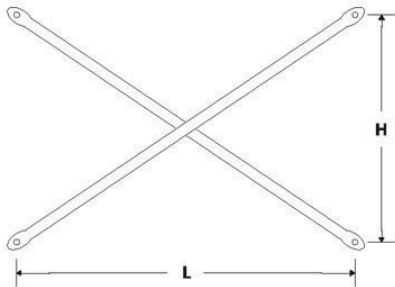
ST 201/202/203 Walking Frame



Code	Length	Width
	A	B
ST 201	1829	450
ST 202	1829	745
ST 203	1829	1050

*All measurement is in millimeters (mm)

ST 301 Cross Brace



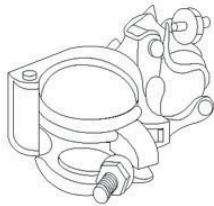
Code	Width (L)	Height (H)
ST301A	1829	1219
ST301B	1829	914
ST301C	1829	610
ST301D	1829	280
ST301E	1219	1219
ST301F	1219	610
ST301G	1219	280
ST301H	1524	1219

ST 486 G.I. Pipe



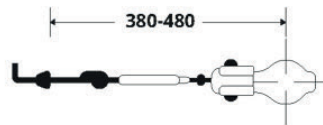
Thickness 2.5 / 4.0

ST 427 Swivel / Fixed Clamp



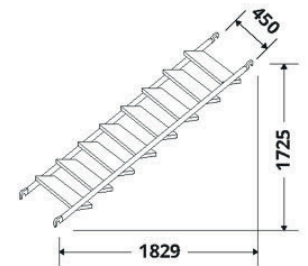
Size 42.7mm / 48.6mm

ST 501 Wall Connector



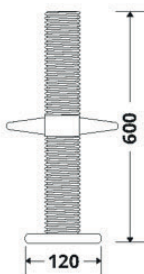
Length 380 - 480

ST 514 Stair



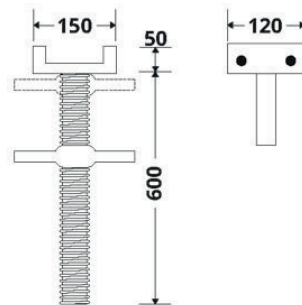
Width 450 Height 1725

ST 601 Jack Base



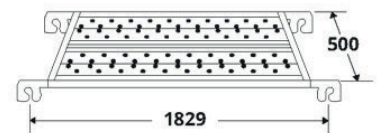
Dia 32 Height 600

ST 602 Shoring Head



Dia 32 Height 600

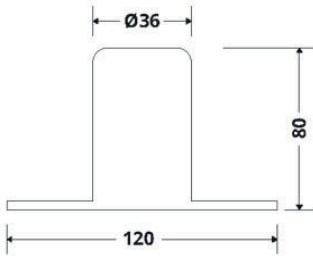
ST 205 Walking Board



Width 500 Width 1829

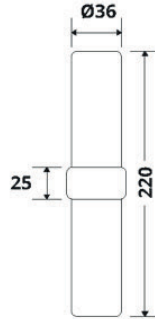
*All measurement is in millimeters (mm)

ST 604 Base Plate



Dia 36 Height 80

ST 701 Joint Pin



Dia 36 Length 220

ST 801 Arm Lock



Length 506

ST 901 Hand Roil Pole



Dia 36 Height 1219

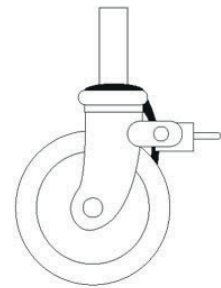
ST 902 Hand Rail



ST902 Length (A) 1829

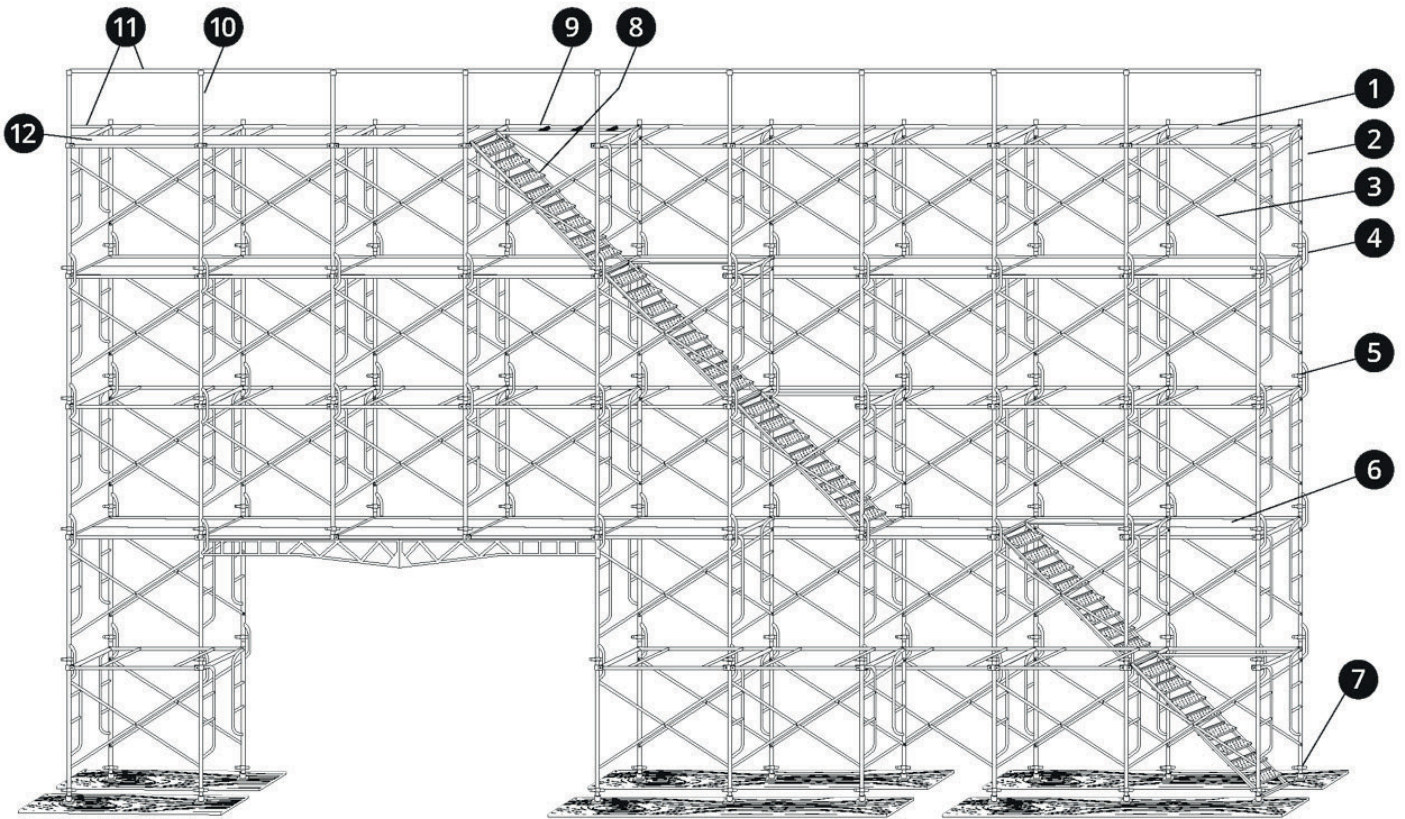
ST902A Length (A) 1219

ST 603 Caster Wheel



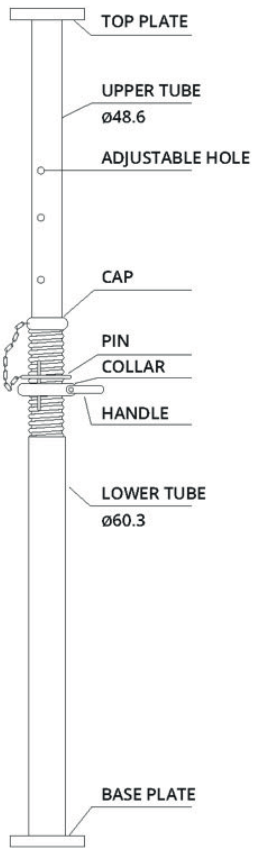
Dia 200 Shaft L 98

*All measurement is in millimeters (mm)



- | | | |
|--------------------------------|---------------------------------|----------------------------|
| 1. ST202 Walking Frame | 6. ST205 Walking Board | 11. ST902 Hand Rail |
| 2. ST101 Vertical Frame | 7. ST601 Jack Base | 12. AC703 Toe Board |
| 3. ST301 Cross Brace | 8. ST514 Stair | |
| 4. ST801 Arm Lock | 9. ST201 Walking Frame | |
| 5. ST701 Joint Pin | 10. ST901 Hand Rail Pole | |

* The above shows components required and erecting method for external scaffolding



- Enhances the speed of construction
- Economy due to less number of props required
- Easy to assemble

Model	ST-50	ST-65	ST-75	ST-90
Max.Length (mm)	2,030	3,200	3,500	3,900
Min.Length (mm)	1,220	1,740	2,040	2,500
Adjustable Length (mm)	800	1,320	1,320	1,320
Adjustable Length or Bolt (mm)	140	140	140	140



Set the pin into the hole of inner tube.

Steel Props are made from pipes of high quality material attached with accessories. They replace timber props in construction as they are easy to assemble, economical to use and time saving.

1. Easy to assemble

- Extend tube to required height.
- Set pin through hole of inner tube.
- Obtain exact height by sliding the screw position for minor adjustment.



Adjust the height by sliding the screw position.

2. Economical to use

Steel props take more structure stronger and it can be placed up to 2 metres apart depending on circumstances and less numbers are used making it economical.

3. Time Saving

Fewer props means less labour involved and ease of assembling also saves time.