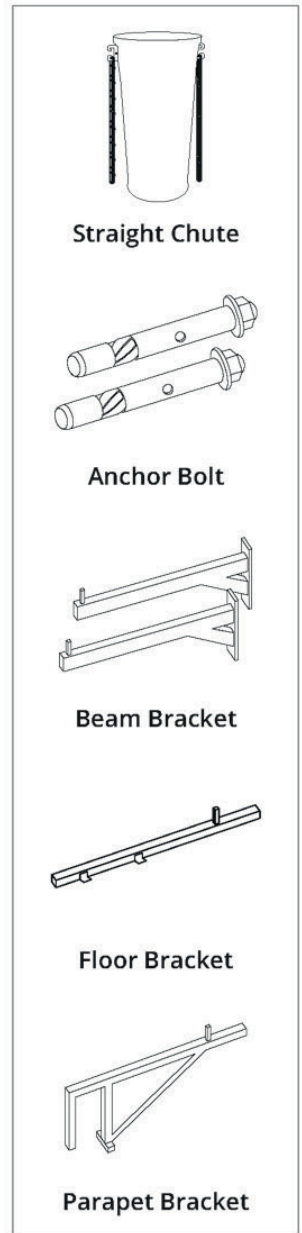
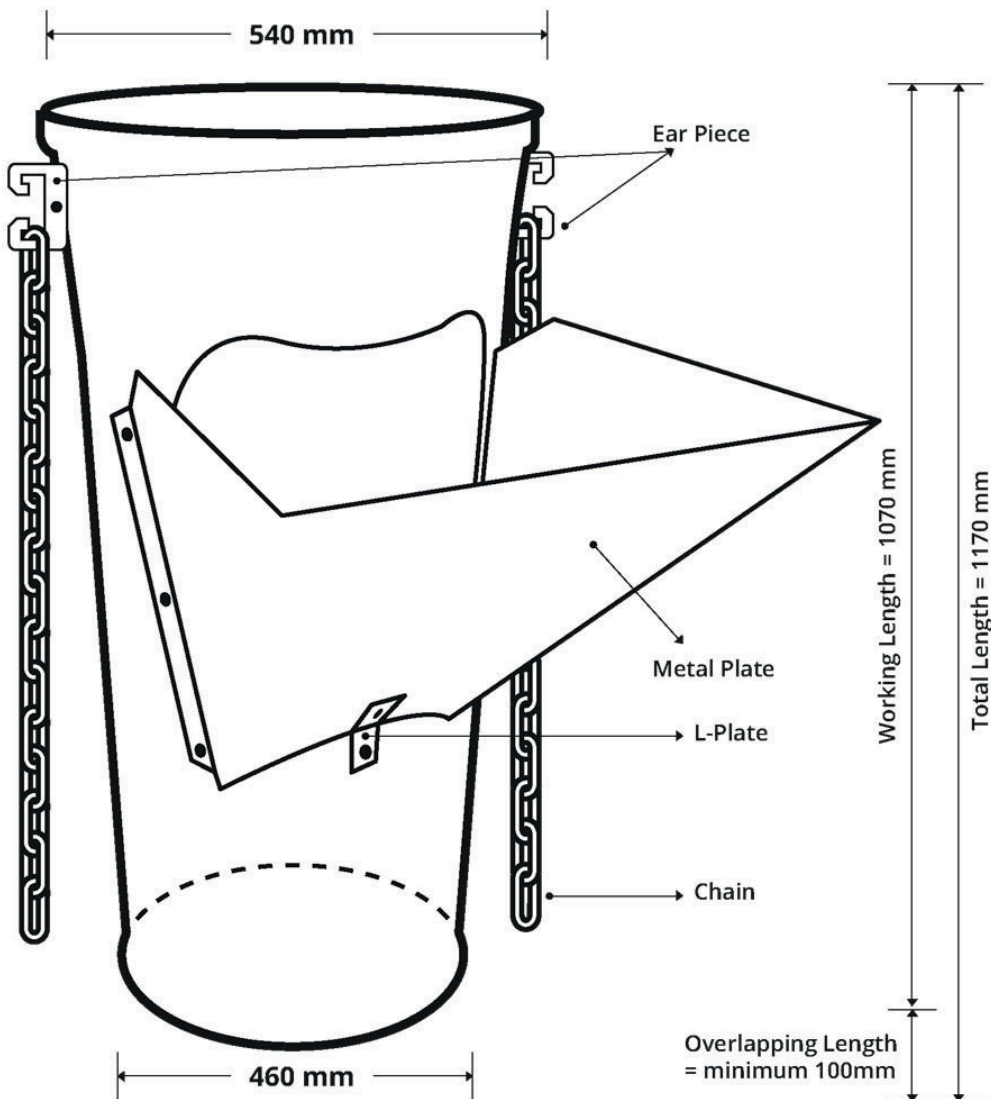




# Rubbish Chutes

---

- OVERVIEW
- ACCESSORIES

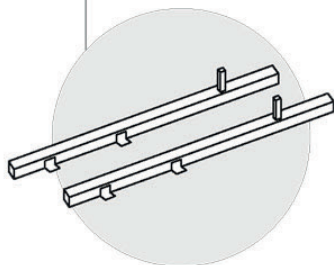
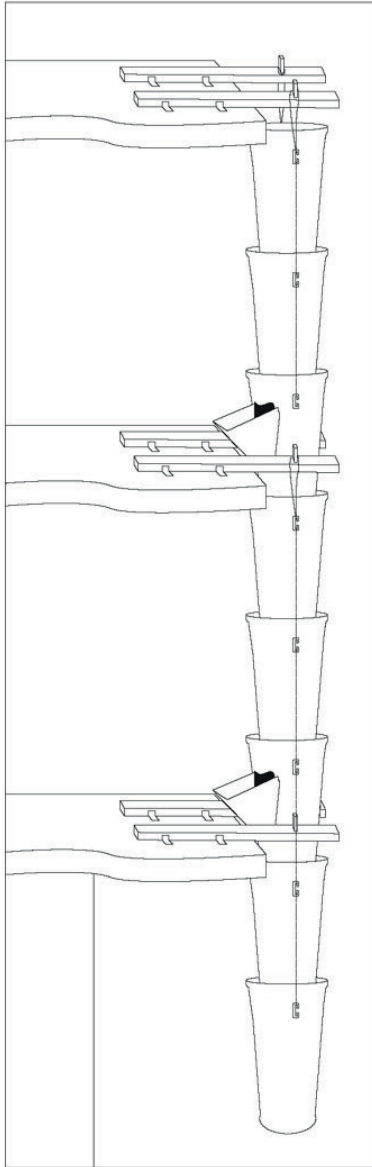


The safe way to get rubbish, rubble and general debris from high level work areas. Produced from high quality **HDPE (High Density Polyethylene)** and manufactured to highest specifications. Our rubbish chutes are designed to resist abrasions, withstand heavy impacts and maintain rigidity in extreme weather conditions.

**BENEFITS**

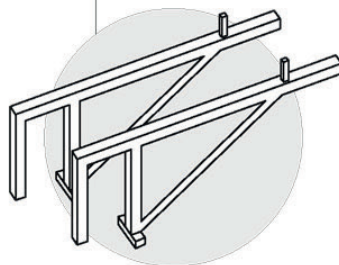
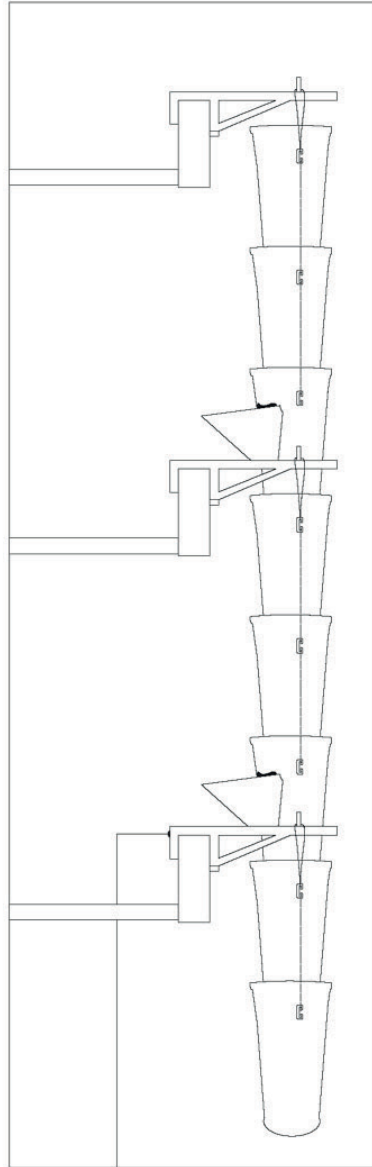
Easy to erect	Complete Safety	Economical
Will withstand extreme temperatures	Produced from prime quality material	High resistance to abrasions

Slab Floor Mount



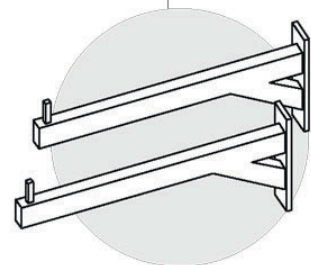
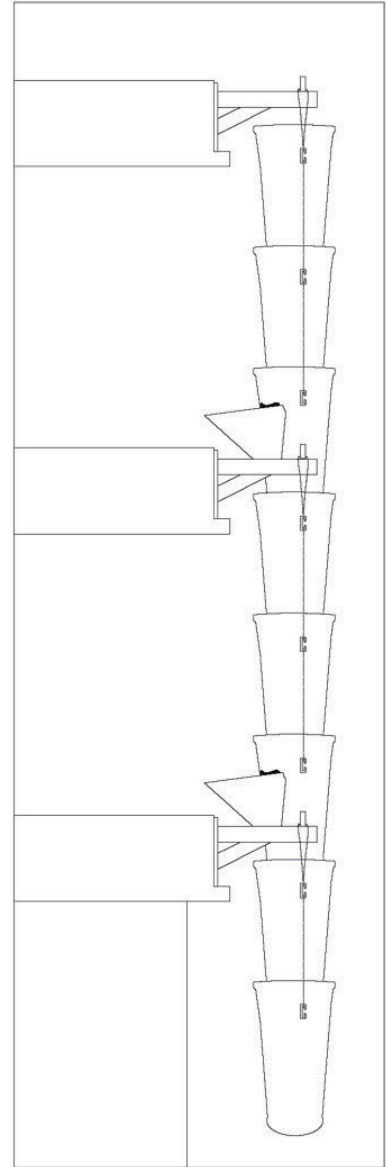
Floor Bracket

Parapet Mount



Parapet Bracket

Beam Mount



Beam Bracket

**Accessories**

For Straight Chutes

- Ear Pieces
- Chain

For M-Hopper

- Metal Plate Complete
- Metal Strips
- Bolts & Nuts
- Ear Piece
- Chain

For Brackets

- Anchor Bolts